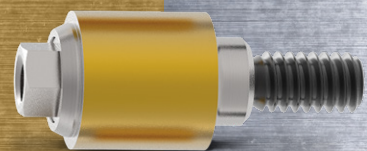


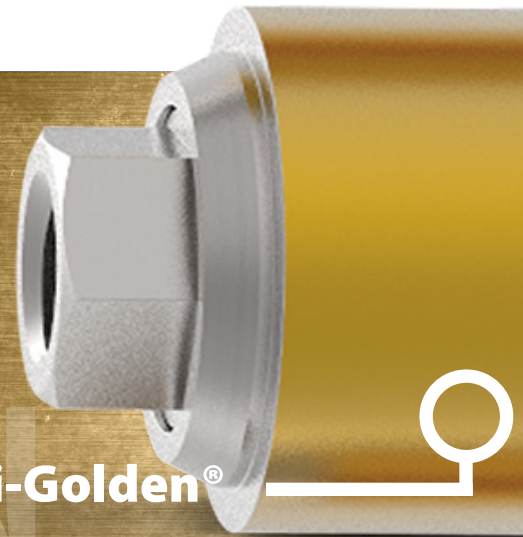
BTI  
PROSTHETIC  
COMPONENTS

Ti-Golden® & Ti-Black®

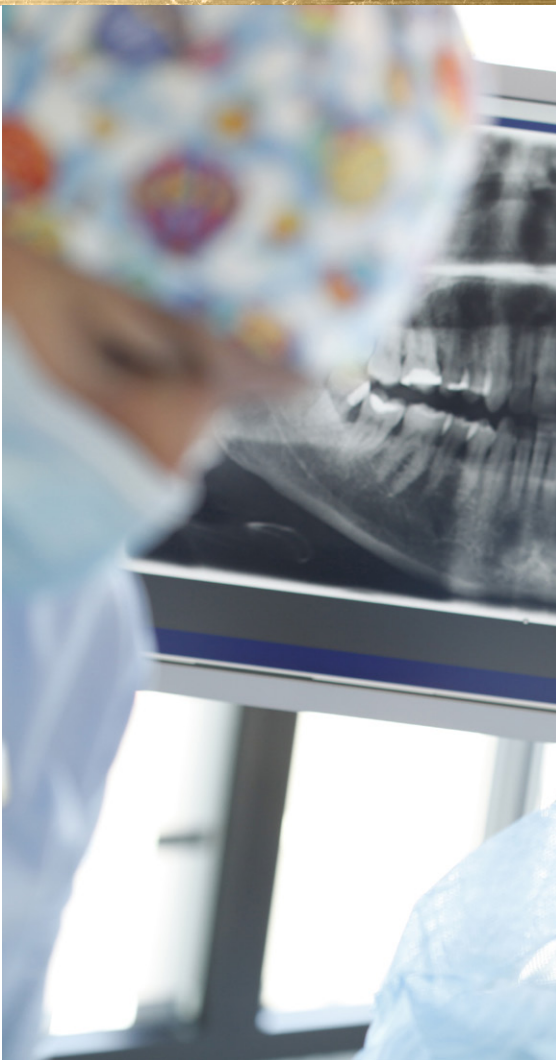


**Ti-Golden® , THE BTI  
PROSTHETIC COMPONENTS  
ARE EVOLVING TO  
IMPROVE THE QUALITY OF  
PROSTHODONTIC WORK.**

**Ti-Golden®**



**GOLDEN**



**Ti-Golden® , A COATING THAT IMPROVES THE  
AESTHETICS AND THE BIOLOGICAL INTERFACE.**

Yet again BTI's R&D department comes up with a new and efficient solution: The Ti-Golden® coating converts titanium into a material with a number of advantages.

## ADVANTAGES

### GOLDEN FINISH

- The golden colour of these prosthetic attachments with the Ti-Golden® layer achieves a better aesthetic, which is highly significant in transmitting a greater warmth to the gingival tissues.

### AT GINGIVAL LEVEL

- Improves the cellular behaviour of human gingival fibroblasts against bacterial adhesion. Gingival fibroblasts act in the biological sealing of gingival tissue.

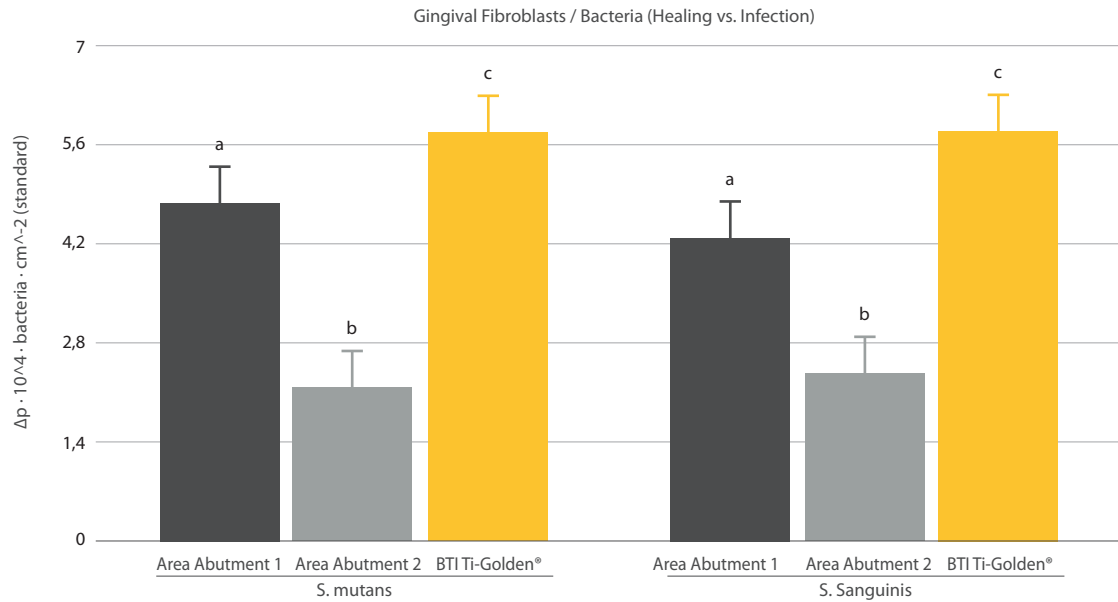
### IMPROVES THE ANTIMICROBIAL PROPERTIES

- Reduced bacterial adhesion is associated with reduced risk of peri-implantitis.

**Human  
Technology**

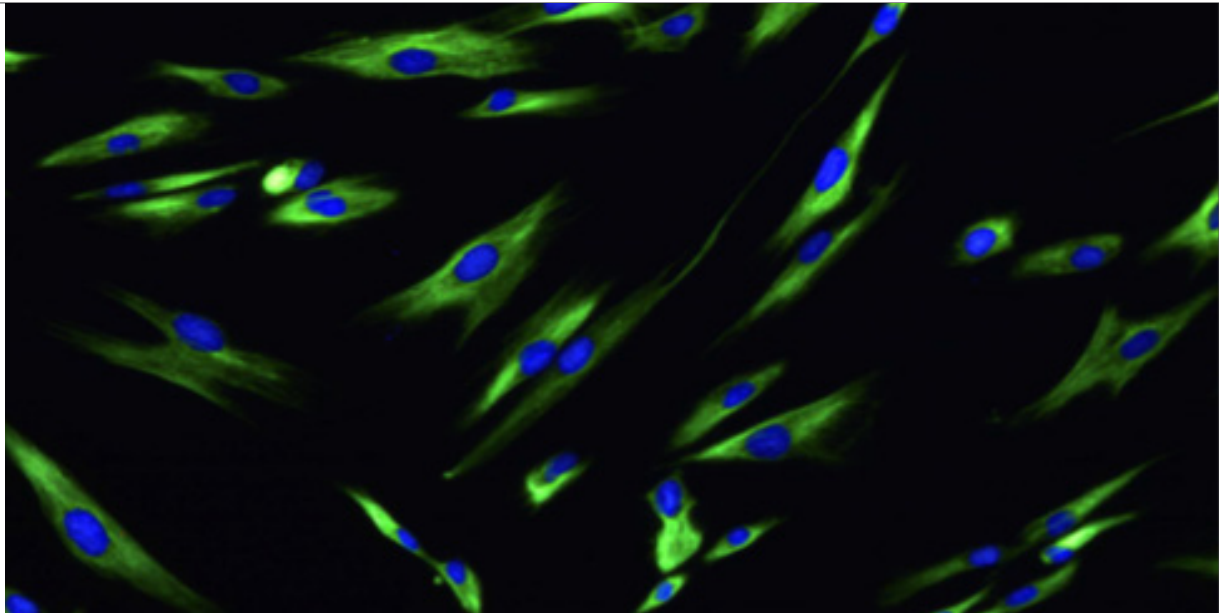
## | SURFACE STUDIES |

In comparative studies of abutment surfaces, the Ti-Golden® surface showed the best balance between proliferation of human gingival fibroblasts and resistance to bacterial adhesion.



Different letters show statistical significant differences  $p < 0.05$  (ANOVA)

Pacha-Olivenza MÁ, Tejero R, Fernández-Calderón MC, Anitua E, Troya M, González-Martín ML. Relevance of Topographic Parameters on the Adhesion and Proliferation of Human Gingival Fibroblasts and Oral Bacterial Strains. *Biomed Res Int.* 2019 10;2019:8456342.



The gingival fibroblasts in contact with the Ti-Golden® surface show a stretched morphology typical of an optimal functional arrangement.



Ti-Golden®



## PROSTHESIS DIRECTLY ON IMPLANT



▶ **BIOABUTMENT**  
STRAIGHT AND  
ANGLED 15°



▶ **AESTHETIC  
ABUTMENT**

## PROSTHESIS ON TRANSEPITHELIAL



▶ **STRAIGHT  
UNIT®**  
TRANSEPITHELIAL



▶ **EXPANDED  
UNIT®**  
TRANSEPITHELIAL



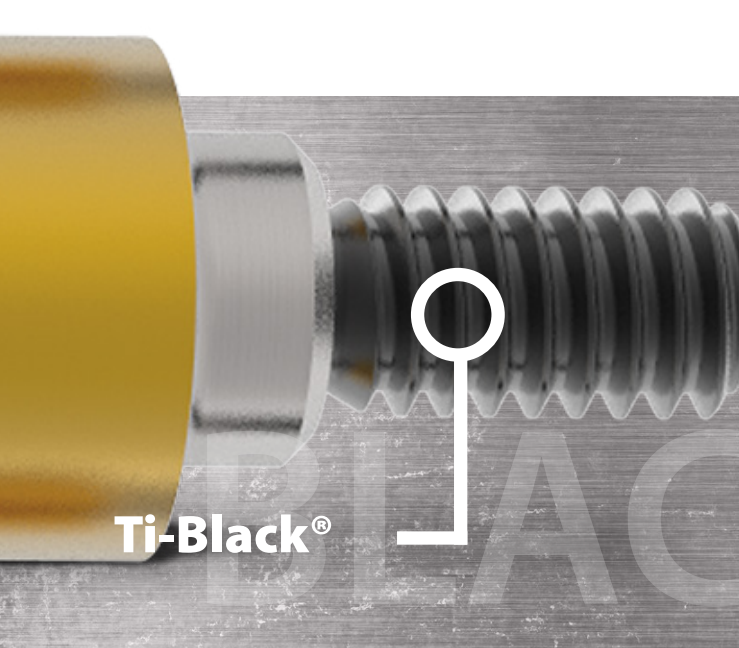
▶ **ANGLED  
UNIT®/ MULTI-IM®**  
TRANSEPITHELIAL  
17°-30°



▶ **STRAIGHT  
MULTI-IM®**  
TRANSEPITHELIAL



▶ **EXPANDED  
MULTI-IM®**  
TRANSEPITHELIAL



**NEW Ti-Black® SCREWS WITH SURFACE TREATMENT. WE ACHIEVE THE PROPERTIES OF GOLD WITH THE ADVANTAGES OF TITANIUM.**

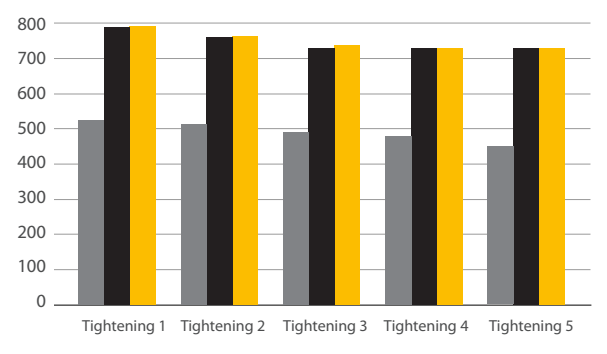
**Ti-Black®**

The number of cycles of stress and fluctuating deformation that this material can withstand is much higher than that of conventional titanium and is comparable with gold.

**| Biomechanical STUDY |**

**PRELOAD WITH TORQUE 35 NCM**

■ Ti ■ Ti-Black® ■ Gold



The new Ti-Black® screws have a tungsten carbide surface treatment that reduces the friction coefficient and improves glide. This gives them the same properties as gold in terms of pre-stress and resistance to fatigue.

**ADVANTAGES**

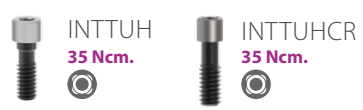
- Greater preload for the same torque.
- Possibility of screws coming loose reduced to a minimum.
- Preload similar to gold, reducing the cost.
- Small hexagonal head to permit a smaller diameter of the prosthetic chimneys and thus improve the appearance.
- The lifetime of the screw is extended, as it is more resistant to fatigue.

**Ti-Black® COMPONENTS:**

⊙ Interna conexión ⊙ Externa conexión

**CONVENTIONAL HEXAGONAL SCREWS:**

DIRECT TO IMPLANT RESTORATION



INDIRECT RESTORATION (UNIT® · MULTI-IM®)



**CADCAM SCREWS FOR ANGULATION CHANGE:**

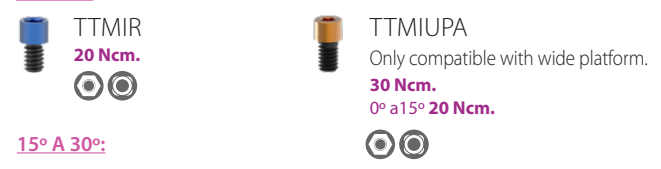
DIRECT TO IMPLANT RESTORATION

0° A 30°:



INDIRECT RESTORATION (UNIT® · MULTI-IM®)

0° A 15°:



15° A 30°:





**BTI Comercial**

San Antonio, 15 - 5º  
01005 Vitoria-Gasteiz  
(Álava) · SPAIN  
Tel: +34 945 140 024  
pedidos@bticomercial.com

**B.T.I.**

**Biotechnology Institute S.L.**  
Parque Tecnológico de Álava  
Leonardo da Vinci ,14  
01510 Miñano (Álava) SPAIN  
bti.implantes@bti-implant.es

**Subsidiaries**

**ALEMANIA**

Tel. +49 (0) 7231 428060  
info@bti-implant.de

**PORTUGAL**

Tel: (351) 22 120 1373  
bti.portugal@bticomercial.com

**FRANCIA**

Tel: +33 (5) 54530209  
serviceclient@bti-implant.fr

**UK**

Tel: +44 02039 661873  
customerservice@bti-implant.co.uk

**ITALIA**

Tel: +39 0270605067  
info@bti-implant.it

**USA**

Office: 866 646 4067  
bti@bti-implant.us

**MEXICO**

Tel: (52) 55 52502964  
bti.mexico@bti-implant.com

[www.bti-biotechnologyinstitute.com](http://www.bti-biotechnologyinstitute.com)

**NOTE: consult your distributor for the availability of the product in the different markets.**